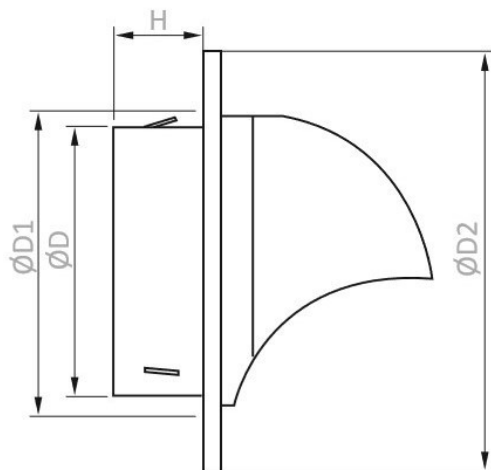


## MÉRETEK



	$\text{ØD}$ (mm)	$\text{ØD1}$ (mm)	$\text{ØD2}$ (mm)	H (mm)
<b>BLR-E-RL 80</b>	75	80	148	40
<b>BLR-E-RL 100</b>	95	100	148	48
<b>BLR-E-RL 125</b>	120	125	188	48
<b>BLR-E-RL 150</b>	145	150	210	56
<b>BLR-E-RL 160</b>	155	160	210	61
<b>BLR-E-RL 180</b>	175	180	272	66
<b>BLR-E-RL 200</b>	195	200	272	70
<b>BLR-E-RL 250</b>	245	250	285	70