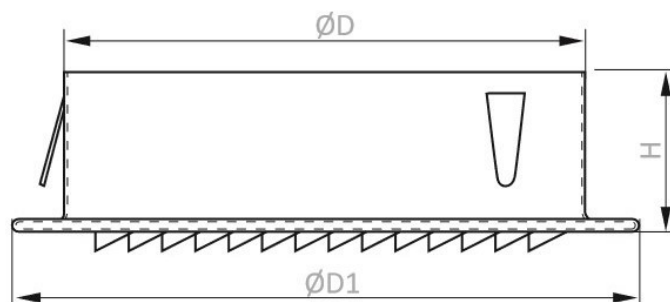


MÉRETEK



	$\varnothing D$ (mm)	$\varnothing D1$ (mm)	H (mm)
BLR-0-R 80	77	103	45
BLR-0-R 100	97	125	45
BLR-0-R 125	122	150	45
BLR-0-R 150	147	175	45
BLR-0-R 160	157	188	45
BLR-0-R 200	197	225	45
BLR-0-R 250	247	275	45
BLR-0-R 315	312	340	45