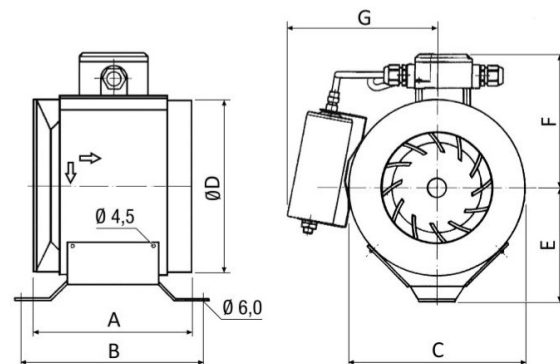
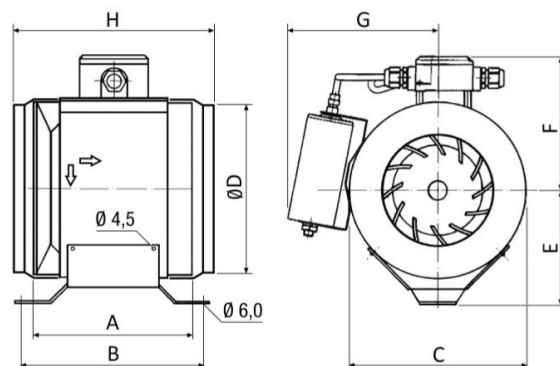


ERM-EX 18  
ERM-EX 25



ERM-EX 22



Típus	øA, [mm]	B, [mm]	C, [mm]	øD, [mm]	E, [mm]
ERM-EX 18	164	187	183	178	120
ERM-EX 22	177	203	230	198	140
ERM-EX 25	205	232	255	248	160

Típus	F, [mm]	G, [mm]	H, [mm]	Tömeg, [kg]
ERM-EX 18	142	160	-	3.57
ERM-EX 22	166	195	269	6.50
ERM-EX 25	180	210	-	7.35