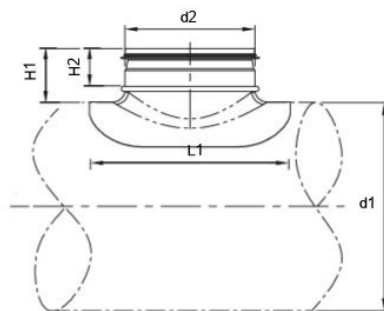
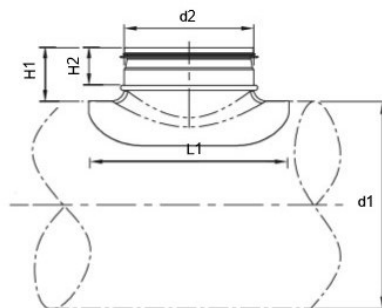


## MÉRETEK



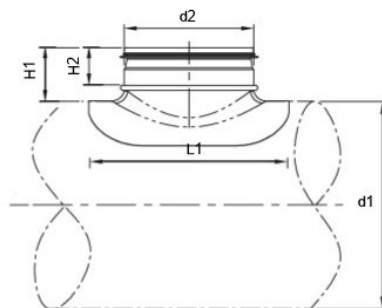
Típus	d1 [mm]	d2 [mm]	L1 [mm]	H1 [mm]	H2 [mm]	R [mm]	Tömeg [kg]
ARG90 80/80	80	80	140	50	36	15	0.1
ARG90 100/80	100	80	140	50	36	15	0.1
ARG90 100/100	100	100	160	55	36	15	0.2
ARG90 125/80	125	80	140	50	36	15	0.2
ARG90 125/100	125	100	160	50	36	15	0.2
ARG90 125/125	125	125	195	55	36	20	0.3
ARG90 150/80	150	80	140	50	36	15	0.2
ARG90 150/100	150	100	160	50	36	15	0.2
ARG90 150/125	150	125	195	55	36	20	0.3
ARG90 150/150	150	150	240	61	36	25	0.5
ARG90 160/80	160	80	140	50	36	15	0.2
ARG90 160/100	160	100	160	50	36	15	0.2
ARG90 160/125	160	125	195	55	36	20	0.3
ARG90 160/150	160	150	240	61	36	25	0.5
ARG90 160/160	160	160	250	61	36	25	0.5
ARG90 200/80	200	80	140	50	36	15	0.2
ARG90 200/100	200	100	160	50	36	15	0.2
ARG90 200/125	200	125	195	55	36	20	0.3
ARG90 200/150	200	150	240	61	36	25	0.4
ARG90 200/160	200	160	250	61	36	25	0.4
ARG90 200/180	200	180	250	60	46	20	0.5
ARG90 200/200	200	200	270	60	46	20	0.5
ARG90 250/80	250	80	145	50	36	15	0.1
ARG90 250/100	250	100	165	50	36	15	0.1
ARG90 250/125	250	125	205	55	36	20	0.2
ARG90 250/150	250	150	260	70	36	25	0.5
ARG90 250/160	250	160	270	70	36	25	0.5
ARG90 250/180	250	180	290	70	36	25	0.6
ARG90 250/200	250	200	310	70	36	25	0.6
ARG90 250/250	250	250	320	60	46	20	0.6
ARG90 315/80	315	80	140	62	42	-	0.2
ARG90 315/100	315	100	160	62	42	-	0.2
ARG90 315/125	315	125	185	62	42	-	0.3
ARG90 315/150	315	150	250	62	42	-	0.5
ARG90 315/160	315	160	260	62	42	-	0.5
ARG90 315/180	315	180	280	62	42	-	0.6
ARG90 315/200	315	200	300	62	42	-	0.6
ARG90 315/250	315	250	350	62	42	-	0.7
ARG90 315/315	315	315	415	62	42	-	0.7
ARG90 355/80	355	80	140	62	42	-	0.3
ARG90 355/100	355	100	160	62	42	-	0.3
ARG90 355/125	355	125	185	62	42	-	0.4
ARG90 355/150	355	150	250	62	42	-	0.6
ARG90 355/160	355	160	260	62	42	-	0.6

## MÉRETEK



Típus	d1 [mm]	d2 [mm]	L1 [mm]	H1 [mm]	H2 [mm]	R [mm]	Tömeg [kg]
ARG90 355/180	355	180	280	62	42	-	0.7
ARG90 355/200	355	200	300	62	42	-	0.7
ARG90 355/250	355	250	350	62	42	-	0.8
ARG90 355/315	355	315	415	62	42	-	0.8
ARG90 355/355	355	355	455	62	42	-	0.9
ARG90 400/100	400	100	200	62	42	-	0.3
ARG90 400/125	400	125	225	62	42	-	0.4
ARG90 400/150	400	150	250	62	42	-	0.5
ARG90 400/160	400	160	260	62	42	-	0.5
ARG90 400/180	400	180	280	62	42	-	0.6
ARG90 400/200	400	200	300	62	42	-	0.6
ARG90 400/250	400	250	350	62	42	-	0.7
ARG90 400/315	400	315	415	62	42	-	0.9
ARG90 400/355	400	355	455	62	42	-	1.2
ARG90 400/400	400	400	500	75	55	-	1.5
ARG90 450/100	450	100	200	62	42	-	0.3
ARG90 450/125	450	125	225	62	42	-	0.3
ARG90 450/150	450	150	250	62	42	-	0.3
ARG90 450/160	450	160	260	62	42	-	0.4
ARG90 450/180	450	180	280	62	42	-	0.4
ARG90 450/200	450	200	300	62	42	-	0.4
ARG90 450/250	450	250	350	62	42	-	0.6
ARG90 450/315	450	315	415	62	42	-	0.9
ARG90 450/355	450	355	455	62	42	-	1.0
ARG90 450/400	450	400	500	75	55	-	1.3
ARG90 450/450	450	450	550	75	55	-	1.6
ARG90 500/100	500	100	200	62	42	-	0.3
ARG90 500/125	500	125	225	62	42	-	0.3
ARG90 500/150	500	150	250	62	42	-	0.4
ARG90 500/160	500	160	260	62	42	-	0.4
ARG90 500/180	500	180	280	62	42	-	0.5
ARG90 500/200	500	200	300	62	42	-	0.5
ARG90 500/250	500	250	350	62	42	-	0.7
ARG90 500/315	500	315	415	62	42	-	1.0
ARG90 500/355	500	355	455	62	42	-	1.1
ARG90 500/400	500	400	500	75	55	-	1.4
ARG90 500/450	500	450	550	75	55	-	1.7
ARG90 500/500	500	500	600	90	70	-	2.0
ARG90 560/100	560	100	200	62	42	-	0.3
ARG90 560/125	560	125	225	62	42	-	0.3
ARG90 560/150	560	150	250	62	42	-	0.4
ARG90 560/160	560	160	260	62	42	-	0.4
ARG90 560/180	560	180	280	62	42	-	0.5
ARG90 560/200	560	200	300	62	42	-	0.5

## MÉRETEK



Típus	d1 [mm]	d2 [mm]	L1 [mm]	H1 [mm]	H2 [mm]	R [mm]	Tömeg [kg]
ARG90 560/250	560	250	350	62	42	-	0.7
ARG90 560/315	560	315	415	62	42	-	1.0
ARG90 560/355	560	355	455	62	42	-	1.1
ARG90 560/400	560	400	500	75	55	-	1.4
ARG90 560/450	560	450	550	75	55	-	1.7
ARG90 560/500	560	500	600	90	70	-	2.0
ARG90 560/560	560	560	660	90	70	-	2.2
ARG90 630/150	630	150	250	62	42	-	0.4
ARG90 630/160	630	160	260	62	42	-	0.4
ARG90 630/180	630	180	280	62	42	-	0.5
ARG90 630/200	630	200	300	62	42	-	0.5
ARG90 630/250	630	250	350	62	42	-	0.7
ARG90 630/315	630	315	415	62	42	-	0.9
ARG90 630/355	630	355	455	62	42	-	1.0
ARG90 630/400	630	400	500	75	55	-	1.3
ARG90 630/450	630	450	550	75	55	-	1.5
ARG90 630/500	630	500	600	90	70	-	1.9
ARG90 630/560	630	560	660	90	70	-	2.3
ARG90 630/630	630	630	730	90	70	-	2.6
ARG90 710/200	710	200	300	62	42	-	0.6
ARG90 710/250	710	250	350	62	42	-	0.8
ARG90 710/315	710	315	415	62	42	-	1.0
ARG90 710/355	710	355	455	62	42	-	1.1
ARG90 710/400	710	400	500	75	55	-	1.4
ARG90 710/450	710	450	550	75	55	-	1.6
ARG90 710/500	710	500	600	90	70	-	2.0
ARG90 710/560	710	560	660	90	70	-	2.4
ARG90 710/630	710	630	730	90	70	-	2.7
ARG90 710/710	710	710	810	90	70	-	2.9
ARG90 800/250	800	250	350	62	42	-	0.6
ARG90 800/315	800	315	415	62	42	-	0.8
ARG90 800/355	800	355	455	62	42	-	0.9
ARG90 800/400	800	400	500	75	55	-	1.2
ARG90 800/450	800	450	550	75	55	-	1.4
ARG90 800/500	800	500	600	90	70	-	1.7
ARG90 800/560	800	560	660	90	70	-	2.1
ARG90 800/630	800	630	730	90	70	-	2.6
ARG90 800/710	800	710	810	90	70	-	3.2
ARG90 800/800	800	800	900	90	70	-	3.7