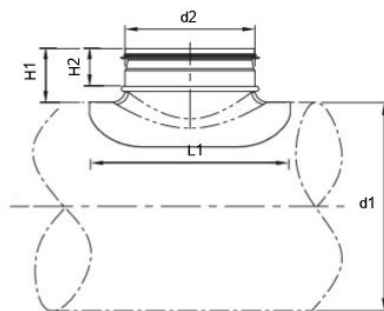


## MÉRETEK



Típus	d1 [mm]	d2 [mm]	L1 [mm]	H1 [mm]	H2 [mm]	R [mm]	Tömeg [kg]
ARG90 80/80	80	80	140	50	36	15	0.1
ARG90 100/80	100	80	140	50	36	15	0.1
ARG90 100/100	100	100	160	55	36	15	0.2
ARG90 125/80	125	80	140	50	36	15	0.2
ARG90 125/100	125	100	160	50	36	15	0.2
ARG90 125/125	125	125	195	55	36	20	0.3
ARG90 150/80	150	80	140	50	36	15	0.2
ARG90 150/100	150	100	160	50	36	15	0.2
ARG90 150/125	150	125	195	55	36	20	0.3
ARG90 150/150	150	150	240	61	36	25	0.5
ARG90 160/80	160	80	140	50	36	15	0.2
ARG90 160/100	160	100	160	50	36	15	0.2
ARG90 160/125	160	125	195	55	36	20	0.3
ARG90 160/150	160	150	240	61	36	25	0.5
ARG90 160/160	160	160	250	61	36	25	0.5
ARG90 200/80	200	80	140	50	36	15	0.2
ARG90 200/100	200	100	160	50	36	15	0.2
ARG90 200/125	200	125	195	55	36	20	0.3
ARG90 200/150	200	150	240	61	36	25	0.4
ARG90 200/160	200	160	250	61	36	25	0.4
ARG90 200/180	200	180	250	60	46	20	0.5
ARG90 200/200	200	200	270	60	46	20	0.5
ARG90 250/80	250	80	145	50	36	15	0.1
ARG90 250/100	250	100	165	50	36	15	0.1
ARG90 250/125	250	125	205	55	36	20	0.2
ARG90 250/150	250	150	260	70	36	25	0.5
ARG90 250/160	250	160	270	70	36	25	0.5
ARG90 250/180	250	180	290	70	36	25	0.6
ARG90 250/200	250	200	310	70	36	25	0.6
ARG90 250/250	250	250	320	60	46	20	0.6
ARG90 315/80	315	80	140	62	42	-	0.2
ARG90 315/100	315	100	160	62	42	-	0.2
ARG90 315/125	315	125	185	62	42	-	0.3
ARG90 315/150	315	150	250	62	42	-	0.5
ARG90 315/160	315	160	260	62	42	-	0.5
ARG90 315/180	315	180	280	62	42	-	0.6
ARG90 315/200	315	200	300	62	42	-	0.6
ARG90 315/250	315	250	350	62	42	-	0.7
ARG90 315/315	315	315	415	62	42	-	0.7
ARG90 355/80	355	80	140	62	42	-	0.3
ARG90 355/100	355	100	160	62	42	-	0.3
ARG90 355/125	355	125	185	62	42	-	0.4
ARG90 355/150	355	150	250	62	42	-	0.6
ARG90 355/160	355	160	260	62	42	-	0.6