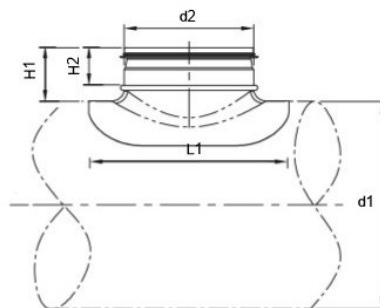


MÉRETEK



Típus	d1 [mm]	d2 [mm]	L1 [mm]	H1 [mm]	H2 [mm]	R [mm]	Tömeg [kg]
ARG90 355/180	355	180	280	62	42	-	0.7
ARG90 355/200	355	200	300	62	42	-	0.7
ARG90 355/250	355	250	350	62	42	-	0.8
ARG90 355/315	355	315	415	62	42	-	0.8
ARG90 355/355	355	355	455	62	42	-	0.9
ARG90 400/100	400	100	200	62	42	-	0.3
ARG90 400/125	400	125	225	62	42	-	0.4
ARG90 400/150	400	150	250	62	42	-	0.5
ARG90 400/160	400	160	260	62	42	-	0.5
ARG90 400/180	400	180	280	62	42	-	0.6
ARG90 400/200	400	200	300	62	42	-	0.6
ARG90 400/250	400	250	350	62	42	-	0.7
ARG90 400/315	400	315	415	62	42	-	0.9
ARG90 400/355	400	355	455	62	42	-	1.2
ARG90 400/400	400	400	500	75	55	-	1.5
ARG90 450/100	450	100	200	62	42	-	0.3
ARG90 450/125	450	125	225	62	42	-	0.3
ARG90 450/150	450	150	250	62	42	-	0.3
ARG90 450/160	450	160	260	62	42	-	0.4
ARG90 450/180	450	180	280	62	42	-	0.4
ARG90 450/200	450	200	300	62	42	-	0.4
ARG90 450/250	450	250	350	62	42	-	0.6
ARG90 450/315	450	315	415	62	42	-	0.9
ARG90 450/355	450	355	455	62	42	-	1.0
ARG90 450/400	450	400	500	75	55	-	1.3
ARG90 450/450	450	450	550	75	55	-	1.6
ARG90 500/100	500	100	200	62	42	-	0.3
ARG90 500/125	500	125	225	62	42	-	0.3
ARG90 500/150	500	150	250	62	42	-	0.4
ARG90 500/160	500	160	260	62	42	-	0.4
ARG90 500/180	500	180	280	62	42	-	0.5
ARG90 500/200	500	200	300	62	42	-	0.5
ARG90 500/250	500	250	350	62	42	-	0.7
ARG90 500/315	500	315	415	62	42	-	1.0
ARG90 500/355	500	355	455	62	42	-	1.1
ARG90 500/400	500	400	500	75	55	-	1.4
ARG90 500/450	500	450	550	75	55	-	1.7
ARG90 500/500	500	500	600	90	70	-	2.0
ARG90 560/100	560	100	200	62	42	-	0.3
ARG90 560/125	560	125	225	62	42	-	0.3
ARG90 560/150	560	150	250	62	42	-	0.4
ARG90 560/160	560	160	260	62	42	-	0.4
ARG90 560/180	560	180	280	62	42	-	0.5
ARG90 560/200	560	200	300	62	42	-	0.5