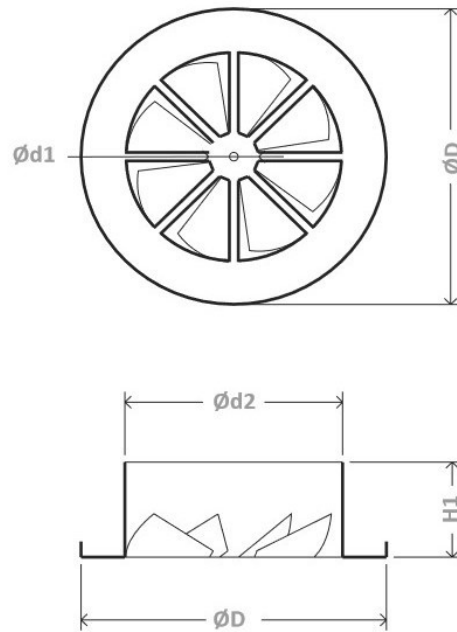


MÉRETEK



	$\varnothing D$, [mm]	$\varnothing d1$, [mm]	$\varnothing d2$, [mm]	H1, [mm]
RWR-N 125	171	28	122	55
RWR-N 160	214	50	157	55
RWR-N 200	264	50	197	55
RWR-N 250	326	65	247	55
RWR-N 315	404	87	312	55
RWR-N 400	500	87	397	55